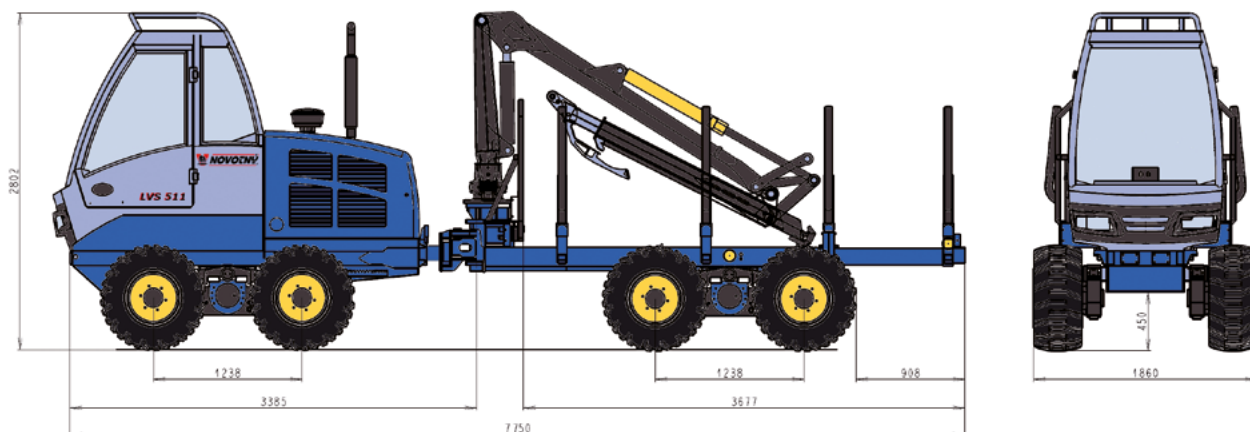




- Fuel economic diesel engine
- Narrow and stable chassis
- Perfect manoeuvrability in the forestry
- 8 wheel drive
- Comfort and spacious cabin
- Quick and precise crane
- Minimum of electronic
- Easy maintenance

Forwarder type	LVS 511		
Engine	Cummins		
Type of engine	B 3.3T		
Engine output	55 kW / 2500 rpm		
Transmission	Hydrostatic		
Traction	8x8		
Hydraulic system	Bosch Rexroth		
Locking	Hydraulic – flow divider		
Number of speed	2 + regulation		
Tires	400/60-15,5 (500/40-17,5)		
Electric system			
Voltage	12 V		
Alternator	90 A		
Working lights	8 x 70 W		
Crane	MOWI P25	MOWI P30	Moheda M40
Reach [m]	5,2	5,7	6,5
Lifting capacity [kg]	420	450	450
Telescope	-	-	YES
Dimensions			
Width	1.860 mm (2.060 mm)		
Height	2.960 mm		
Lenght	6.950 – 7.750 mm		
Ground clearance	450 mm		
Machine weight	4.475 – 5.500 kg according to equipment		
Loading capacity	5.000 kg		
Cabin	Spacious and safety cabin with perfect visibility. Comfortable revolving seat with joysticks, radio with CD		

We are offering a wide range of optional equipment.



Strojírna Novotný s.r.o.

Vitošov 50, 789 01 Hrabová | Czech republic

Phone/Fax +420 583 414 579 | Mob: +420 733 134 428

Email: novotny@loader.cz

www.loader.cz

