

www.loader.cz

Tradition
in manufacturing
skid steer loaders
since 1997

**NOVOČENÝ B961**

engine output: 55 kW
loading capacity: 1.200 kg
weight: 3.580 kg
bucket capacity: 0,60 m³

CHARACTERISTICS:

- ▶ made in Czech Republic
- ▶ powerful and efficient engines
- ▶ reliable hydraulic system
- ▶ high payload
- ▶ chain drives axles
- ▶ joystick control
- ▶ easy maintenance practical and fast service
- ▶ all spare parts on stock

NOVOČENÝ B861

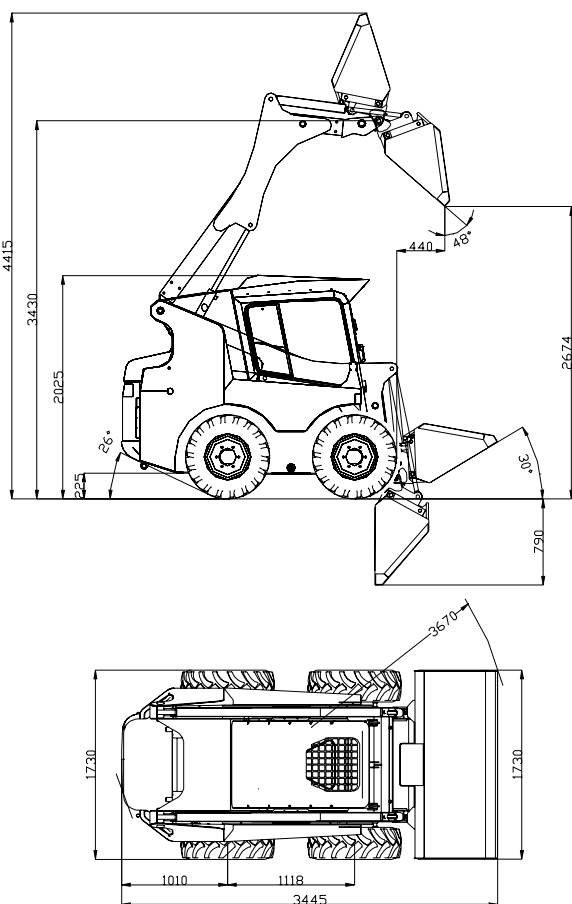
engine output: 43 kW
loading capacity: 1.000 kg
weight: 3.350 kg
bucket capacity: 0,53 m³



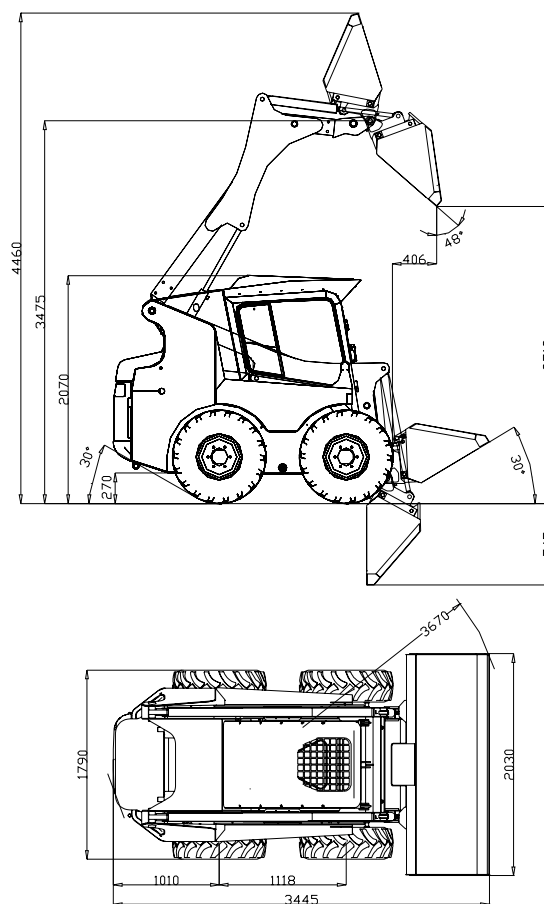
Manufacturer:
Strojírna Novotný s.r.o.
Hrabová 50, 78901
Tel: 583 415 829, Fax: 583 414 579
Mob: 733 134 428
Email: novotny@loader.cz

Sales:

Novotný B861



Novotný B961



Loaders have a quality hydraulic system from REXROTH and can operate even in the hardest working conditions. Double filtration of hydraulic oil with constant electronic control of the cleanliness of the hydraulic filter ensures trouble-free operation and extend the life of the loader.

Type of the loader	B861	B961
Weight	3.350 kg	3.580 kg
Rated operating capacity	1.000 kg	1.200 kg
Tipping load	2.080 kg	2.185 kg
Capacity of basic bucket	0,53 m ³	0,60 m ³
Capacity of bucket according to user needs	053 - 0,80 m ³	0,6 - 0,9 m ³
Force of traction	29 kN	32 kN
Lifting force	21,3 kN	29,6 kN
Tearing force	21,3 kN	28,7 kN
Maximal speed	12 km/h (18 km/h)	12,5 km/h (18,5 km/h)
Tire - dimensions	10,75x15,3 mm	12x16,5 mm
Engine - producer	FPT/F34	FPT/F34
Type - model	F34	F34
Engine output (kW)	43 kW	55 kW

Skid steer loaders NOVOTNÝ are manufactured and supplied with a wide range of additional equipment. Loaders are equipped with a quick clamping device that is compatible with UNC standards.